

POWER IN +  
 POWER IN -  
 BATTERY +  
 THERMISTOR +  
 THERMISTOR -  
 BATTERY -  
 EXT SW PWR +  
 EXT SW ON/OFF

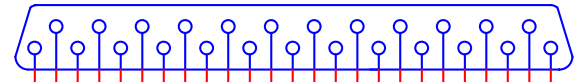
J1 CON-8

VIN+  
 VIN-  
 VBAT+  
 THERMISTOR+  
 THERMISTOR-  
 VBAT-

1  
 2 ON/OFF  
 SW1  
 SW-PUSH

Momentary  
 Switch

P1 CON-25 D



Screw Terminal  
 Connector

J2 CON-11

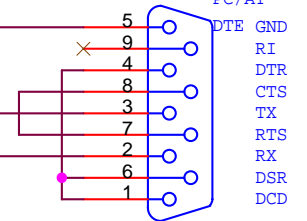
+5P  
 +3.3P  
 PGND  
 +12P  
 -12P  
 INTGND  
 INT3.3V  
 SDA  
 SCK

11  
 10  
 9  
 8  
 7  
 6  
 5  
 4  
 3  
 2  
 1

POWER +5V  
 POWER +3.3  
 POWER GND  
 POWER GND  
 POWER +12  
 POWER -12  
 I2C GND  
 I2C 3.3V  
 I2C SDA  
 I2C SCK  
 VUSRIN

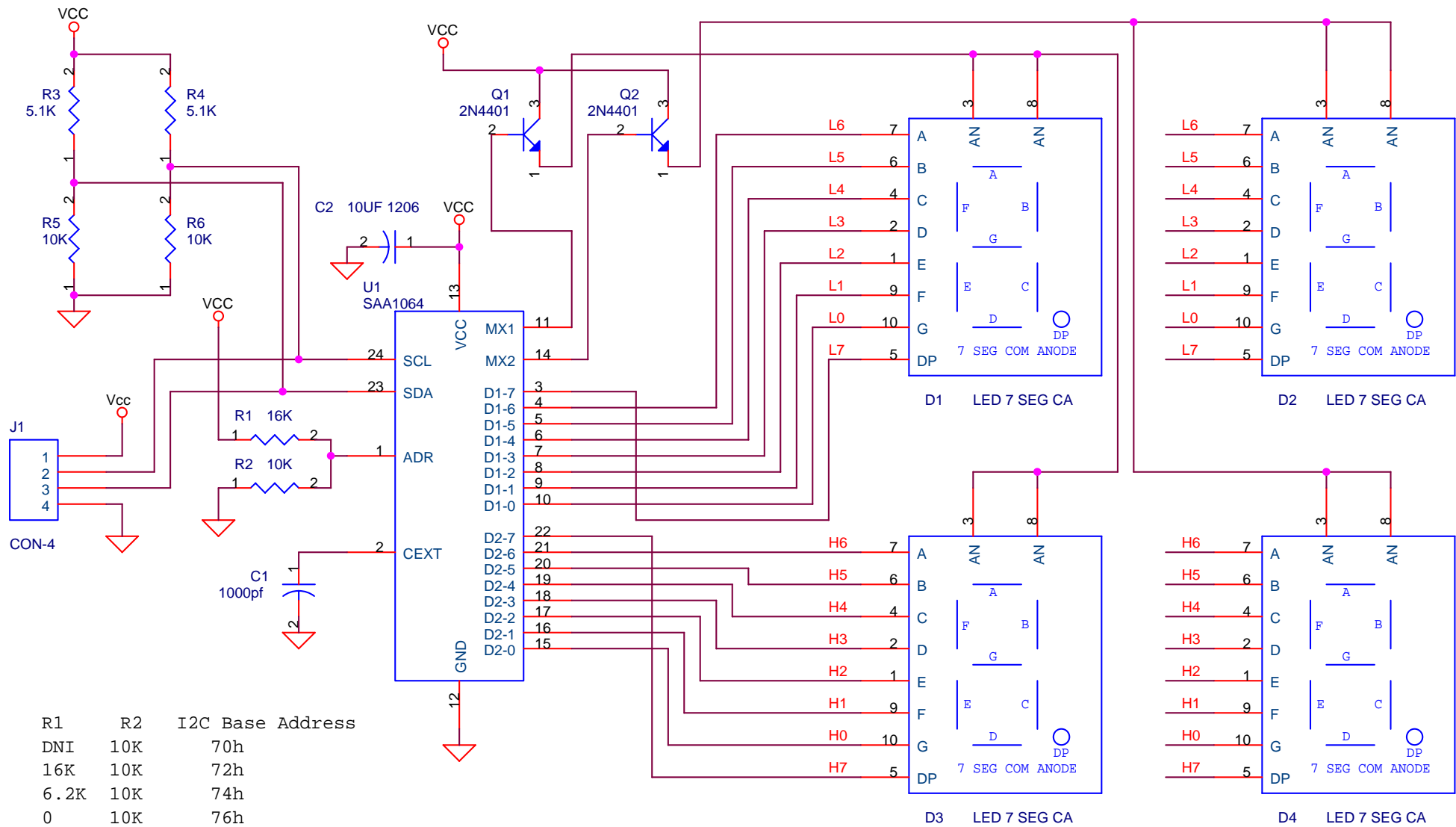
RS232  
 Connector

P2 CON-9 D PC  
 PC/AT



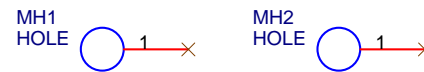
SERIN  
 SEROUT

Index Designs Tel: 1-410-821-1315		Baltimore MD 21286 USA www.indexdesigns.com	
Title BB10/ 25 Interface PCB			
Size A	Document Number		Rev 0
Date:	Saturday, June 14, 2014	Sheet	1 of 1



When using 5V as VCC install R5 and R6 with 10K resistors. This will limit the maximum I2C pull up voltage to 3.3V. The SunDuino is a 3.3V system and it will not tolerate pullup to 5V.

Remove R5 and R6 when operating with VCC = 3.3V.



Index Designs		
Title 4 Digit LED Display		
Size A	Document Number <Doc>	Rev A
Date: Monday, November 10, 2014	Sheet 1	of 1

### Scope Shot of I2C Data Transfer with 7 Segment LED Display Board

